

Keyboard Tray Solutions



SlimForm™ -19"

WaldLine # WL20017-2

- 1/4" thin phenolic allows complete knee clearance
- Tilt & Swivel mouse with Gel pad provides infinite adjustment
- Gel palm rest (removable) for maximum ergonomic comfort
- Adjustable mouse catcher with cord manager
- Mouse platform mounts right or left
- Tray dimensions 19-1/2" x 11-1/2", plus 8-1/4" diameter mouse



SecureFit™

WaldLine # WL20020-2

- Sure squeeze design firmly holds keyboard in place
- Slides to clamp keyboard from 5" - 9" deep
- Mouse platform plugs in for right- or left-hand use
- Tilt & Swivel mouse provides infinite adjustment
- Gel palm rest provides maximum ergonomic comfort
- Adjustable mouse catcher with cord manager
- Tray dimensions 19" x (8" - 12" adjustable), plus 8-3/4" x 9-1/2" mouse



MouseAround™

WaldLine # WL20015-2

- Features both straight and curved sliding mouse motion, combined in one tray
- Unique mouse design smoothly slides right-to-left and also pulls forward
- 1/4" thin phenolic allows complete knee clearance
- Gel palm rest (removable) for maximum ergonomic comfort
- Gel mouse pad incorporates raised mouse fence
- Ideal for multiple-user workstations
- 21" x 12", plus 9 1/2" diameter sliding mouse surface



OmniBoard™

WaldLine # WL20016-2

- 1/4" thin phenolic allows complete knee clearance
- Tilt & Swivel mouse platform provides above and below mousing, swings for right- or left-hand use, and features a Gel pad
- Gel palm rest (removable) for maximum ergonomic comfort
- Adjustable mouse catcher with cord manager
- Tray dimensions 19-1/2" x 11-1/2", plus 8-1/4" diameter mouse



Spectra™

WaldLine # WL20018-2

- Designer ergonomics when color is key to the workstation
- Mouse platform plugs in for right- to left-hand use
- Tilt & Swivel mouse platform provides infinite adjustment
- Gel palm rest provides maximum ergonomic comfort
- Adjustable mouse catcher with cord manager
- Tray dimensions 19-1/2" x 10-7/8", plus 8-3/4" x 9-1/2" mouse

Introducing

HOUDINI™

SPECIFICATIONS

Height Adjustment

Up 3" (76 mm)

Down 5" (127 mm)

Total 8" (203 mm)

Adjusted By Lift and Release, **No Knobs or Levers**

Height Indicator? **YES**

Tilt Adjustment +10° / -20°

Adjusted By **Wheel**

Tilt Indicator? **Yes**

Rear Swivel 360°

Retractable? **Yes, 17-3/4" Track (Included)**

ANSI/BIFMA X5.5-1998 Exceeds

Material Steel

Finish Black Textured Powder Coat

Warranty **Lifetime**



HOUDINI™

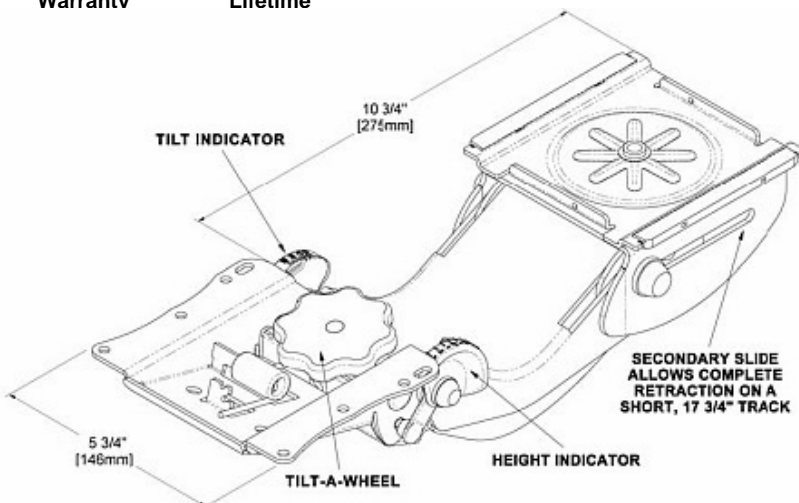
Now you see it, now you don't!

The versatile workspace solution

that's perfect for small spaces or any space, for that matter

Just like magic, the HOUDINI™ simplifies your choice of keyboard arms, because it works just about anywhere and does just about anything. Short return? Corner work surface? No problem! The Houdini pulls out far enough to work in a corner, but still retracts fully on a short, 17-3/4" track. Plus, it adjusts quickly and easily to follow various postures for low-risk keyboard positions.

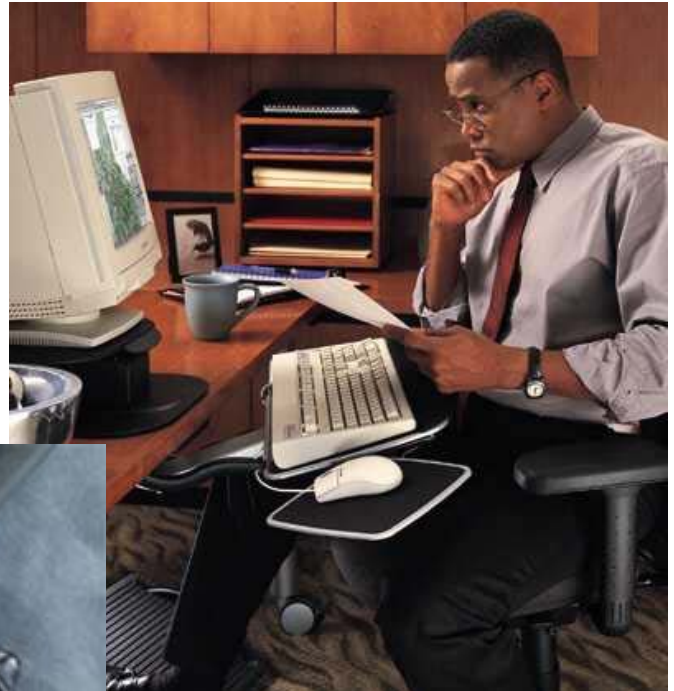
It does just about everything except check your spelling!



WaldLine Model # WL10200-2

Cobra™ Tilt-A-Wheel

The highly styled Cobra™ Tilt-A-Wheel puts the keyboard tray and mouse in perfect user position whether sitting or standing. Extensive ergonomic research has shown that the ability to move quickly from a seated to a standing position significantly reduces fatigue. With our patented design, tray, mousing and color options, it's easy to assemble a keyboarding system that offers a personalized ergonomic fit.



SPECIFICATIONS

Height Adjustment

Up 7.6 "

Down 5.1 "

Total 12.7 "

Adjusted By Lift and Release, **No Knobs or Levers**

Tilt Adjustment +10° / -20°

Adjusted By **Wheel**

Rear Swivel 360°

Retractable? **Yes, On 23" Track (Included)**

ANSI/BIFMA X5.5-1998 Exceeds

Material Steel

Finish Black Textured Powder Coat



Convenient, one-hand tilt adjustment by rotating the soft touch wheel

Advanced patented design offers a total travel range of 12 ½" to accommodate users of varying heights.

Provides greatest range of user mobility, with a full 20° of negative tilt and 10° of positive tilt.

360° rear swivel for optimal keyboard tray positioning and easy stowage.

Slim profile allows for maximum knee clearance when in use or retracted.

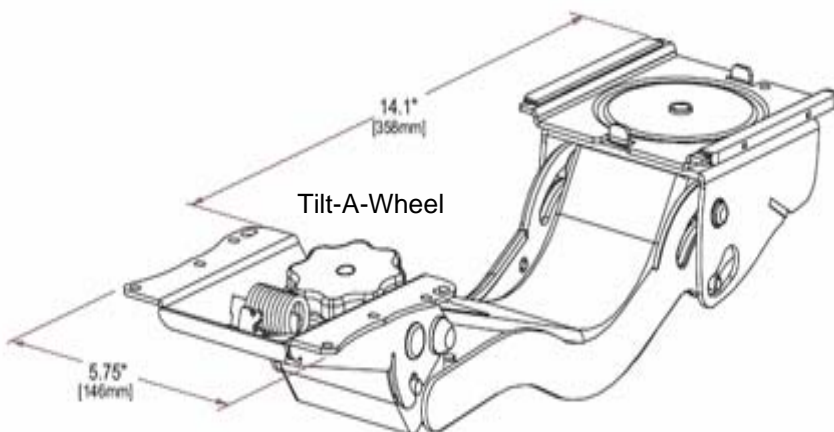
Closed-channel design provides maximum keyboard stability for a solid, quality feel.

Available in durable black powder coat (standard), or with a choice of custom colors.

Installation hardware and instructions included.

Exceeds the ANSI/BIFMA X5.5, 1998 industry performance standard

Lifetime warranty



WaldLine Model # WL27226-2

EasyRiser™

The innovative, patented EasyRiser™ features knob free adjustment that allows for infinite positioning within an impressive 6 1/4" travel range. Simply lift the keyboard tray to the desired height and release - the keyboard locks in place. The keyboard tilt angel is provided by a beautifully sculpted, one-touch wand that combines both function and ergonomic design. Choose one of the designer tray options to create a personalized keyboarding system.



SPECIFICATIONS

Height Adjustment

Up	1/4 "
Down	6 "
Total	6-1/4 "
Adjusted By	Lift and Release
Tilt Adjustment	+/- 15°

Adjusted By	Single Wand
Rear Swivel	360°

Retractable? Yes, On 23" Track (Included)

ANSI/BIFMA X5.5-1998 Exceeds

Material	Steel
Finish	Black Textured Powder Coat
Warranty	Lifetime



Patented design offers a total travel range of 6 1/4"

Independent tilt adjustment (±15°) maintains the selected tilt angle throughout the travel range

Slim profile allows for maximum knee space, either in use or retracted

Counterbalanced design for effortless keyboard tray height adjustment
360° rear swivel for optimal keyboard tray positioning and easy stowage.

Extended arm design fits various workstation configurations, including corner desks.

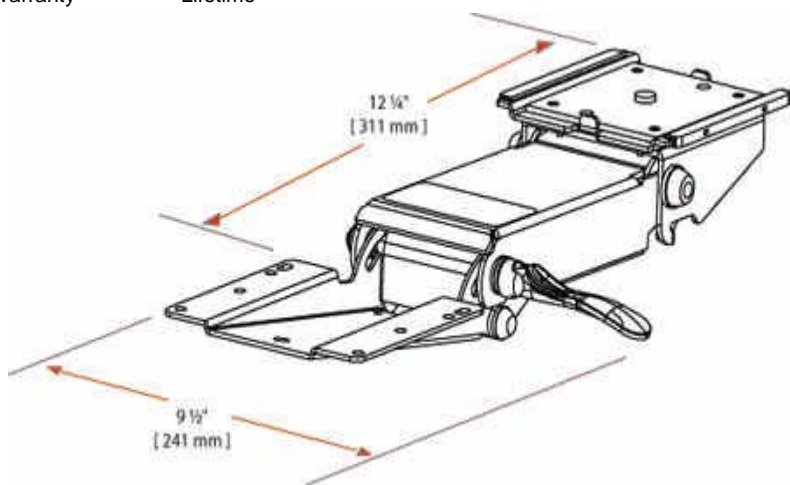
Closed-channel design provides maximum keyboard tray stability for a solid, quality feel

Available in durable Black powder coat (standard). or with a choice of custom colors.

Installation hardware and instructions included

Exceeds ANSI/BIFMA X5.5, 1998 performance standards

Lifetime warranty



WaldLine Model # WL10126-2

EasyRiser™ Stubby

Make height adjustments by simply lifting the keyboard tray and releasing it at your preferred height. Make tilt adjustments using the tensioning knob which releases and locks the keyboard at +/- 15 degree angles for maximum comfort. Once set, Easy Riser tilt settings remain constant throughout the travel range. This model is available in the Extended Length version for popular corner locations. Easy Riser can be outfitted to your needs with various platforms, keyboard clamps, mousing surfaces and choice of palm rests



SPECIFICATIONS

Height Adjustment

Up 1/4 "

Down 6 "

Total 6-1/4 "

Adjusted By Lift and Release

Tilt Adjustment +/- 15°

Adjusted By Single Knob

Rear Swivel 360°

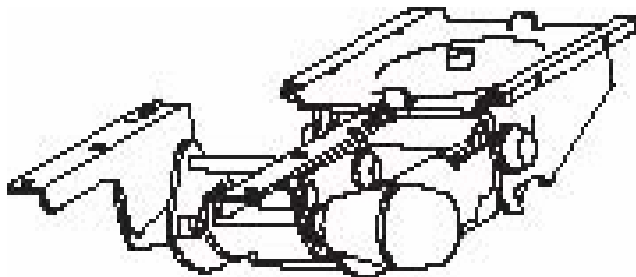
Retractable? Yes, On 17-3/4" Track (Included)

ANSI/BIFMA X5.5-1998 Exceeds

Material Steel

Finish Black Textured Powder Coat

Warranty Lifetime



WaldLine Model # WL10101-2

- SlimLine design for maximum knee room.
- Meets ANSI / BIFMA standards.
- No knob, lever or ratchet handle required to set height; simply lift to desired position and release (patent pending).
- 6-1/4" height adjustment range.
- Infinite adjustability within height and tilt.
- +/-15° of tilt adjustment 360° rear swivel.
- Friction "focal point" adjustment standard on all retractable models.
- Rugged steel construction finished in a durable black textured powder coat.
- Mounts underneath most surfaces with an easy-to-install 23 inch track with guard.
- All mounting hardware and instructions included.
- **Lifetime Warranty**

Marathon Table™

Counterbalanced worksurface positioning system

The ultimate in workstation adjustability. Counterbalanced to allow smooth, controlled raising and lowering of worksurface enabling users to move within a wide range of comfortable and convenient height positions. Patented brake system with weight sensing interlock will only release when table is properly counterbalanced. Unique sensing indicator provides clear directions allowing proper counterbalance adjustment.

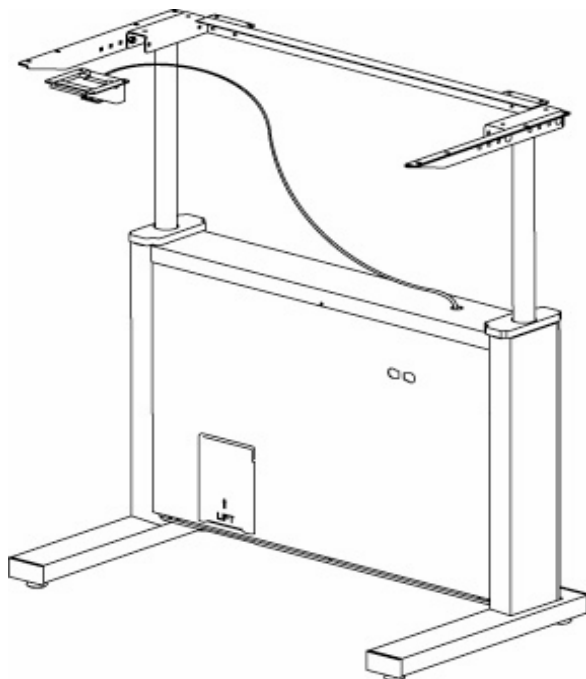


SPECIFICATIONS

Height Adjustment Range	15"
Minimum Height	27"
Maximum Height	42"
Weight Load Capacity	75-225lb.
Material	Steel
Finish	Black Textured Powder Coat



Warranty **Lifetime**



Counterbalanced to support loads from 75 to 225 pounds, permitting smooth, rapid adjustment with minimal effort

Convenient paddle release provides immediate and infinite height adjustment within a 15" travel range

When used in conjunction with the Intellaspace PositionMate™, a bi-level worksurface is created that can be raised, lowered or tilted for maximum user comfort

Unique sensing indicator gives clear directions allowing proper counterbalance adjustment

Available in three widths (34 1/2", 40" and 52") to suit a wide range of desktop sizes and configurations

Smooth, easy operation over the entire service life

Multiple foot lengths available with ultra-stable Unifoot Construction to accommodate various top shapes

Quality steel construction finished in a durable, textured black powder coat

Exceeds the ANSI / BIFMA X5.5, 1998 industry performance standard

Available with standard glides; add-on casters also available

Set & Forget Table™

Height and tilt adjustable worksurface

Our Set & Forget™ Table is engineered to deliver exceptional versatility and ergonomic value. It features both infinite height and tilt adjustment to suit a wide range of environments and tasks and enables the workstation configuration to be fixed to a user's individual preference without the use of tools.



SPECIFICATIONS

Maximum Height	43"
Minimum Height	26 1/2"
Travel Range	16 1/2"
Tilt Forward	30°
Height set by	4 Wing Knobs
Tilt set by	Ratchet Handle
Material	Steel
Finish	Textured Black Powder Coat



16 1/2" of height adjustment from 26 1/2" to 43"

Infinitely adjustable forward tilt – from 0° to 30°

No tools are required to set height and tilt easy- to-use adjustment knobs provided

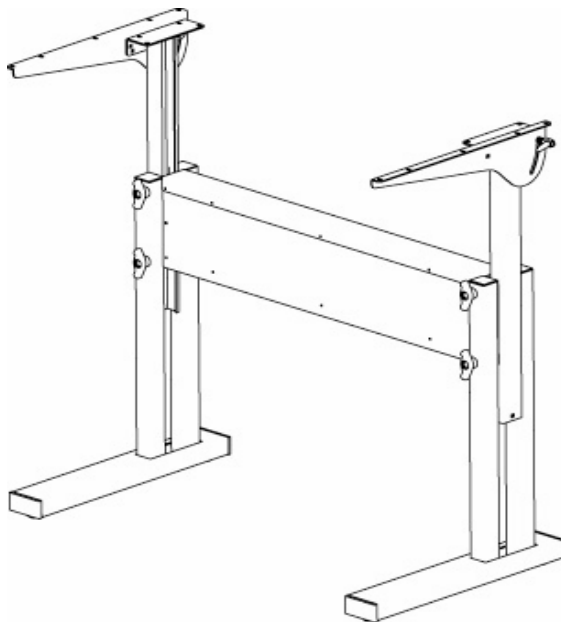
Convenient grids on either side of table are used to set equal level height adjustment

Multiple foot lengths available with ultra-stable Unifoot Construction to accommodate various tabletop shapes

Quality steel construction finished in a durable, black textured powder coat

Available with standard glides; add-on casters also available

Lifetime warranty



PositionMate™

Optimum "dual-surface" ergonomics

The PositionMate™ allows for the creation of a height adjustable surface when added to either a fixed height or height adjustable table. Whether seated in a chair, on a stool or standing, this unique mechanism easily positions large work surfaces to an exact and comfortable working height.



SPECIFICATIONS

Height Adjustment

Up	7"
Down	5-3/4"
Total	12-3/4"
Adjusted By	Paddle
Tilt Adjustment	+9° / - 15°
Adjusted By	Single Knob
Spring Options	15 or 20 pounds



ANSI/BIFMA X5.5-1998

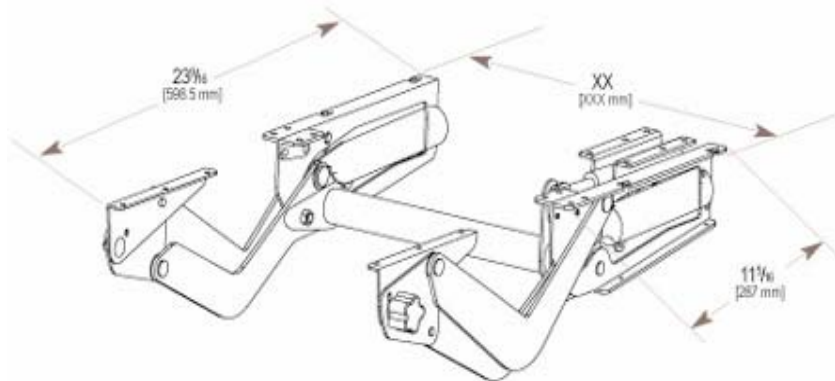
Yes, keyboard surfaces greater than 48" in width

Material Steel

Finish Black Textured Powder Coat

Warranty

Lifetime



WaldLine Model # WL80007-2

Width can be customized to customer specifications

Soft knob to release +9° / -15° tilt allowing a comfortable positioning of the hands

Height adjustment through an impressive 12 - 3/4" travel range controlled with an "easy squeeze" paddle

Patented high-tech design

Mounts below primary work surfaces

Flexible design enables product to be retrofitted to existing furniture

Spring balanced for effortless height adjustment

Rugged steel construction with textured black powder coat finish

Lifetime warranty

EasyMate™

High Value "dual-surface" ergonomics

Like other split top mechanisms, the EasyMate optimizes the workspace by providing a secondary worksurface that is both height and tilt adjustable. But unlike other split top mechanisms, the EasyMate incorporates Weber Knapp's unique patented technology for height adjustment - allowing a worksurface to be raised by simply lifting up on it and lowered by tipping it slightly and moving it down.



SPECIFICATIONS

Height Adjustment

Up	6"
Down	6"
Total	12"

Adjusted By Lift & Set – No Paddle, Cable or Lever

Tilt Adjustment

Adjusted By	Single Knob
Spring Options	15 or 20 pounds

ANSI/BIFMA X5.5-1998
Yes, keyboard surfaces greater than 36" in width

Material Steel

Finish Black Textured Powder Coat

Warranty Lifetime



Lift-and-Set height adjustment, spring-assisted for effortless adjustment through a range of 12 inches, 6" up and 6" down.

Soft knob to release +9°/-15° tilt, for comfortable positioning of the hands.

Simple installation - no paddle, separate brake mechanism, or cable to mount!

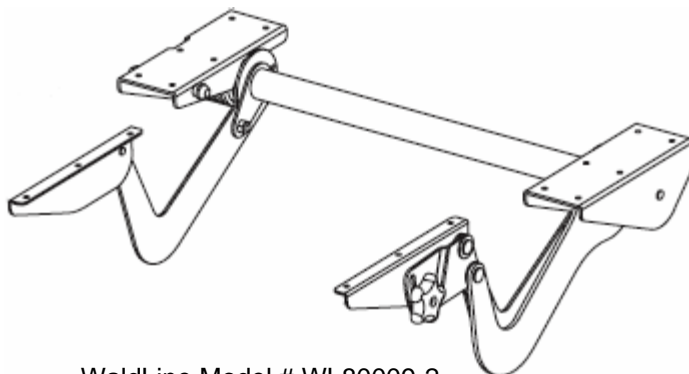
Available in various widths to suit specific workstation dimensions.

Less intrusive of valuable kneespace area as compared with other split top mechanisms.

Rugged steel construction with textured black powdercoat finish.

Exceeds ANSI/BIFMA x5.5-1998, for adjustable keyboards with surface size greater than 36" in width.

Lifetime warranty



WaldLine Model # WL80009-2

flipIT Laptop Safe & Charging Station!

For any table, desk or podium!

*Physical data access safeguards
for any work surface.*

*Comply with HIPAA
§164.310*

*Safety Act 2002
National Security
Guidelines*

*Locking options:
Keyed or electronic*



Access security is fast, safe and easy—



flipIT® Laptop Safe

Wire Management

Cables easily and safely pass between the mushrooms, but the heavy gauge steel deters theft, denying access to the laptop

EasyCinch™

Ergonomic solutions for workspace efficiency

The innovative strap-supported design enables space-saving and secure suspension of the PC under the desktop. This off-the-floor storage solution helps to prevent damage due to dust, accidental kicking and cleaning. Users benefit from improved workspace efficiency and easy accessibility while the integrated retract ability and swivel prevent knee and leg space infringement.



SPECIFICATIONS

Swivel	360°
Ratchet Tightening	Wrench Included
Retractable?	Yes, On 17-3/4" Track (Included)
Weight Capacity	75 pounds
Material	Steel & High Strength Nylon Strap
Finish	Black Textured Powder Coat
Warranty	Lifetime



PC holders retract and swivel to allow full accessibility and easy stowage away from the operator's important knee space

Accommodates all PCs weighing up to 75 lb. and measuring 64" in perimeter, including all odd-shaped PCs

Installation is quick and easy with the patented "Cinch & Lock" device for tightening the straps

Handy adjustment tool stores within unit

Safety feature prevents accidental release of strap tension

Straps can be tightened while PC is suspended

Eliminates unnecessary, unnatural bending motion to load media or access cabling

Mounts underneath most work surfaces

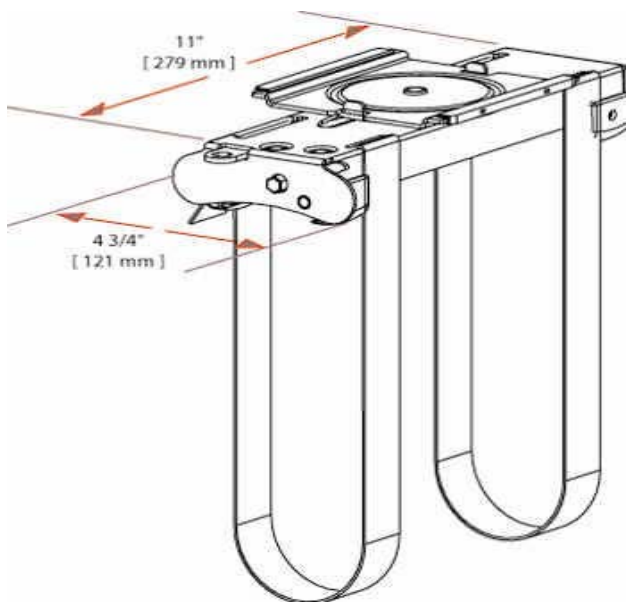
Soft-touch feet protect PC surface

Easily converts to horizontal PC installation (with optional 25802 adapter set)

All mounting hardware and easy-to-follow instructions included

360° swivel option provides easy access to PC cable inputs

Rugged steel construction finished in durable, black powder coat



WaldLine Model # WL60007-2

ScreenSpace™

Flat Screen Arms

The perfect addition to every high-tech workstation, the ScreenSpace™ arm provides an elegant design, strength, and effortless movement in any direction. Users can easily adjust to the most comfortable head/neck posture and focal distance while sitting or standing. ScreenSpace™ supports LCD monitors up to 25lbs. The Screen- Space™ arm comes standard in black. Users may add one or two optional arm accessories to increase flexibility.

SPECIFICATIONS

Column Height	16" or 28"
Tilt	+100° / -40°
Swivel	+/- 90°
Rotation	+/- 180°
Monitor Capacity	25 pounds
Monitor Attachment	VESA Standard: 75mm or 100mm SQ
Clamp Adjustment	0-3" Work Surface Thickness 0-2-1/2" with 3/8" – 3-1/2" Diameter Hole <i>Grommet Mount</i>
Arm Extensions	8" or 10"
Material	Steel
Finish	Black Textured Powder Coat
Warranty	Lifetime



ScreenSpace post heights are available in 16" or 28" column Heights

Optional one or two arm accessories available to increase flexibility

Installation is fast and easy with choice of grommet or clamp mounting system

ScreenSpace™ can be raised, lowered, swiveled or tilted in any direction and allows rotation from landscape to portrait orientation, to accommodate full page viewing software

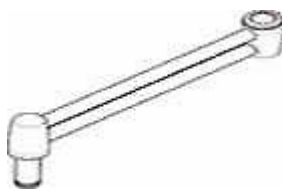
Arm lifts monitor off of desktop to free up space underneath

Integrated cable management system

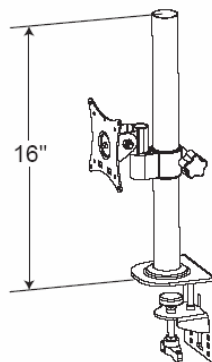
Meets VESA standards: 75 x 75 mm and 100 x 100 mm hole pattern with included adapter

Color options: Comes standard in Black, Stardust Silver minimum quantities and upcharge apply

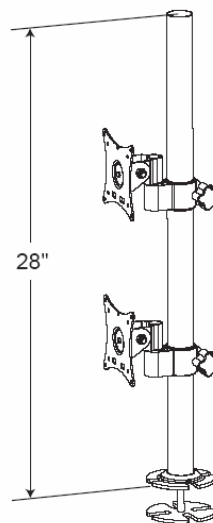
Lifetime warranty



8" or 10" Extension Arm



16" Column Clamp
1 Monitor Bracket



28" Column Grommet
2 Monitor Brackets